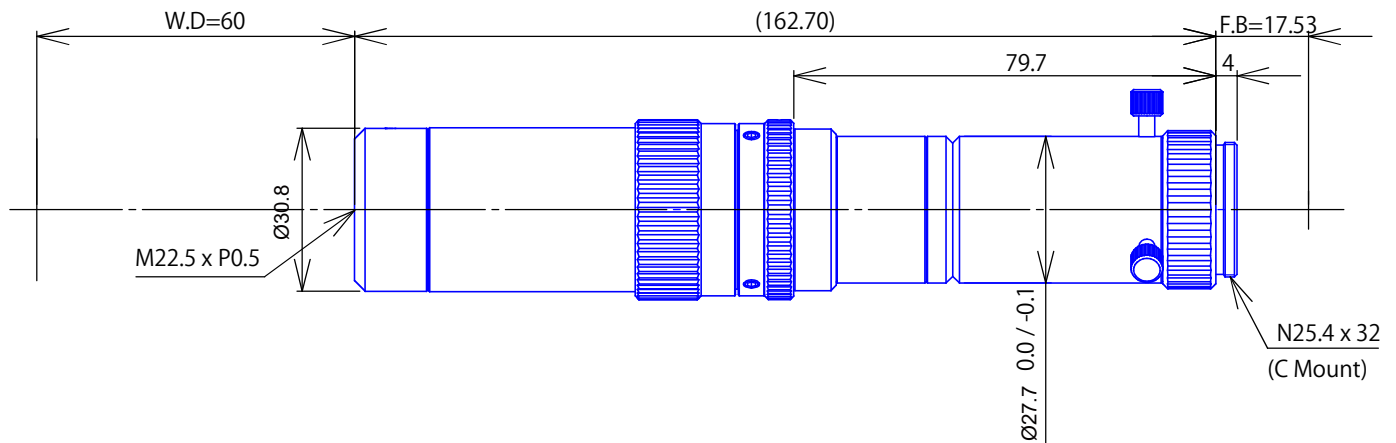


TV Macro Lenses

Manual Zoom Lens 2/3" Format

Item No. Z6-1



ITEM NO.	Z6-1
MAGNIFICATION	x1.0 - 6.0
W.D.	60 mm
APERTURE	-
DEPTH OF FIELD	0.96 - 0.05 mm
OBJECT SIZE at 1/2"	4.8 x 6.4 - 0.8 x 1.06 mm
RESOLUTION POWER(object)	11.56 - 4.09 μ m
NA	0.029 - 0.082
TV DISTORTION	- %
NOTES	Straight