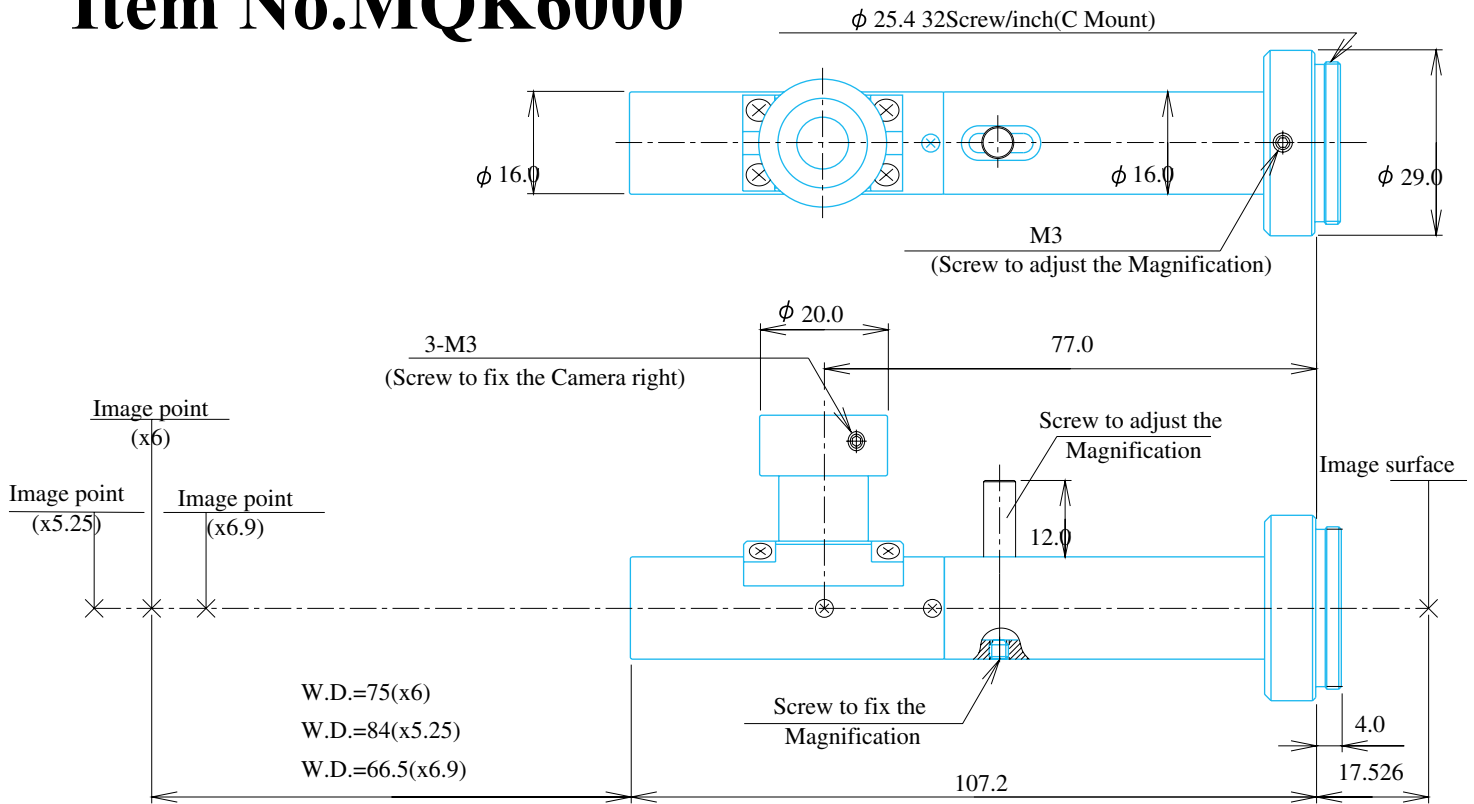


Variable Magnification Lens 2/3" Format

Item No.MQK6000



ITEM NO.	MQK6000	
W.D.	84 - 67	(mm)
MAGNIFICATION	x3.5 - 4.5	
APERTURE	F36 - F45	
DEPTH OF FIELD	+/-0.07 (x6.00)	(mm)
OBJECT SIZE	1.2 x 1.6 - 1.0 x 1.3 (mm)	
IMAGE SIZE	6.6 x 8.8 (mm)	
RESOLUTION POWER	4 - 3	(μ m)
NA	0.076	(%)
TV DISTORTION	0.20	(%)
NOTES	Coaxial	

GOYO OPTICAL Inc.

Japanese Office

3-8-31 HAMAZAKI,
 ASAKA,
 SAITAMA 351-0033,
 JAPAN,
 TEL:048-474-2235
 FAX:048-474-7373
 E-MAIL:info@goyooptical.com

German Office

KURHAUSSTR,3
 ROOM N'19
 D-55543 BAD KREUZNACH
 GERMANY
 TEL:0671-4822255
 FAX:0671-43603
 E-MAIL:info@goyooptical.com