

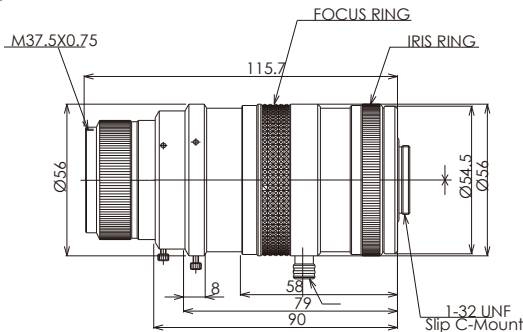
	01T	01DT	02T	02DT	03T	03DT	04T	04DT	05T	05DT
Magnification	x0.1	x0.1	x0.2	x0.2	x0.3	x0.3	x0.4	x0.4	x0.5	x0.5
W.D.(mm)	342.1	342.1	158	158	105	105	78.7	78.7	62.1	62.1
Aperture	F4.0 - C	F4.0 - C	F4.0 - C	F4.0 - C	F4.0 - C	F4.0 - C	F4.0 - C	F4.0 - C	F4.0 - C	F4.0 - C
Depth of Field(mm)	33.5	33.5	11	11	5	5	2.7	2.7	1.7	1.7
Object Size(mm)	66 x 88	66 x 88	33 x 44	33 x 44	22 x 29.3	22 x 29.3	16.5 x 22	16.5 x 22	13.2 x 17.6	13.2 x 17.6
Resolution Power(object)( $\mu\text{m}$ )	61	61	30	30	20	20	15	15	12	12
NA	0.0055	0.0055	0.025	0.025	0.038	0.038	0.050	0.050	0.063	0.063
TV Distortion(less than)	0.03	0.03	0.03	0.03	0.04	0.04	0.04	0.04	0.02	0.02
Notes	straight	coaxial	straight	coaxial	straight	coaxial	straight	coaxial	straight	coaxial

	0.7T	07DT	1T	1DT	2T	2DT	4T	4DT	6T	6DT
Magnification	x0.7	x0.7	x1.0	x1.0	x2.0	x2.0	x4.0	x4.0	x6.0	x6.0
W.D.(mm)	71	71	71	71	66	66	70	70	70	70
Aperture	F14.4	F14.4	F20.0	F20.0	F26.3	F26.3	F32.0	F32.0	F48.0	F48.0
Depth of Field(mm)	+/-0.6	+/-0.6	+/-0.6	+/-0.6	+/-0.25	+/-0.25	+/-0.1	+/-0.1	+/-0.1	+/-0.1
Object Size(mm)	6.6 x 8.8	6.6 x 8.8	6.6 x 8.8	6.6 x 8.8	3.3 x 4.4	3.3 x 4.4	1.65 x 2.2	1.65 x 2.2	1.1 x 1.47	1.1 x 1.47
Resolution Power(object)( $\mu\text{m}$ )	13	13	13	13	10	10	6	6	6	6
NA	0.025	0.025	0.025	0.025	0.038	0.038	0.063	0.063	0.063	0.063
TV Distortion(less than)	-0.07	-0.07	-0.07	-0.07	0.04	0.04	0.10	0.10	0.15	0.15
Notes	straight	coaxial	straight	coaxial	straight	coaxial	straight	coaxial	straight	coaxial

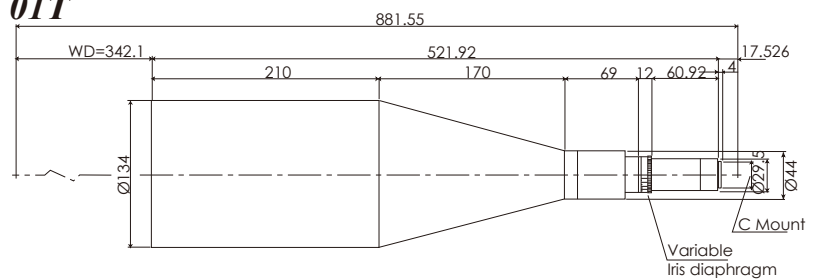
50NL	
Magnification	x0.5 - x1.0
W.D.(mm)	Infinity to 69mm
Focal Length(mm)	50
Aperture	F2.8 - Close
Distortion(less than)	-0.4%(x0.5) & -0.1%(x1.0)
Image Size	2/3 inch
Filter Size	M=37.5, P=0.75
Length(mm)	85 - 116
Mount	C
Weight	317g
Notes	7Groups and 9Elements

\*Specifications are subject to change without prior notice

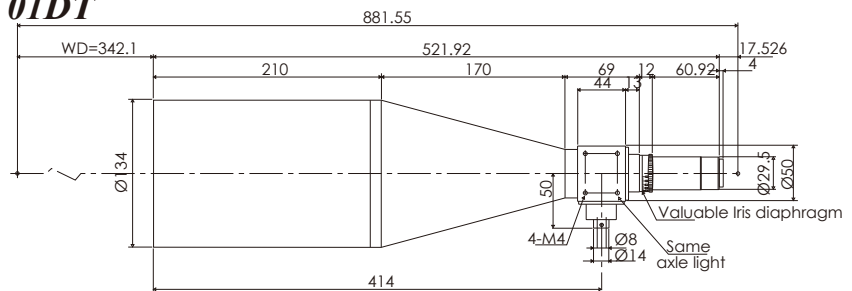
### 50NL



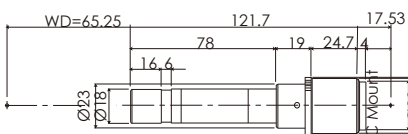
### 01T



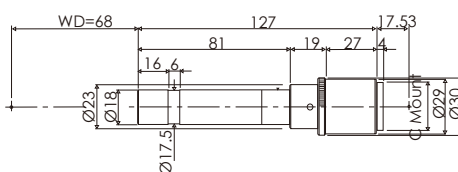
### 01DT



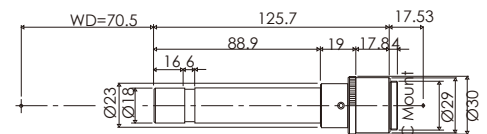
### 2T



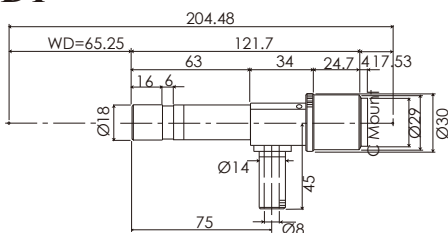
### 4T



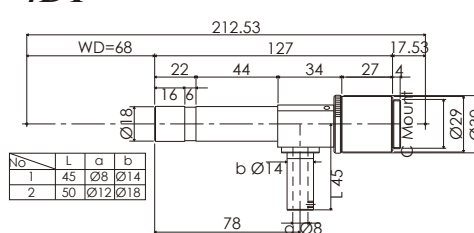
### 6T



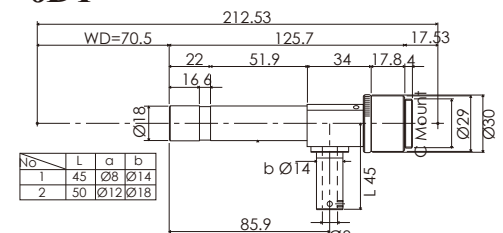
### 2DT



### 4DT



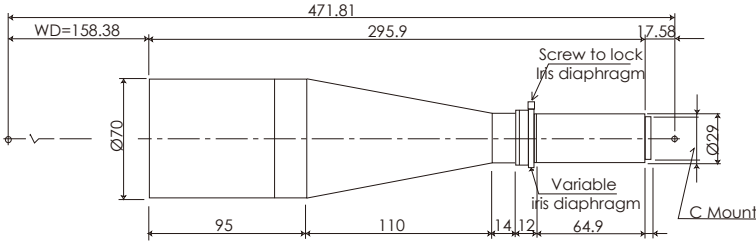
### 6DT



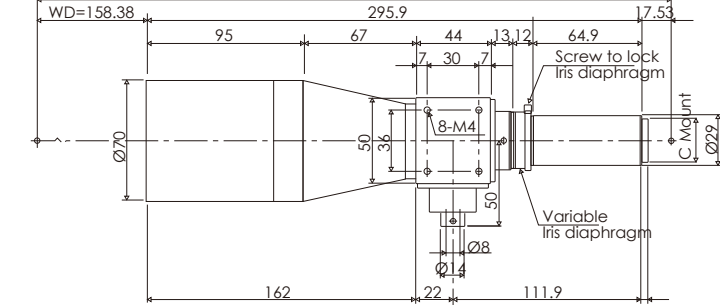
# Telecentric Lenses

## Standard Telecentric Lenses

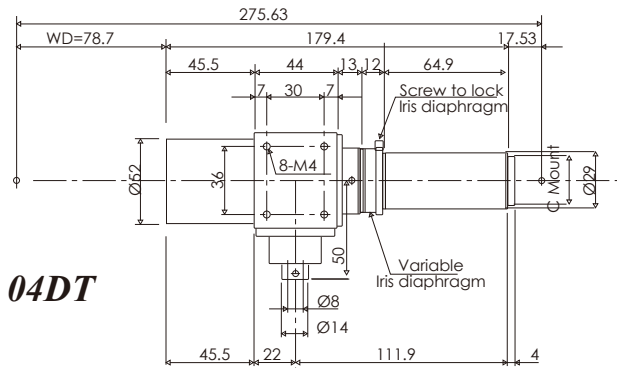
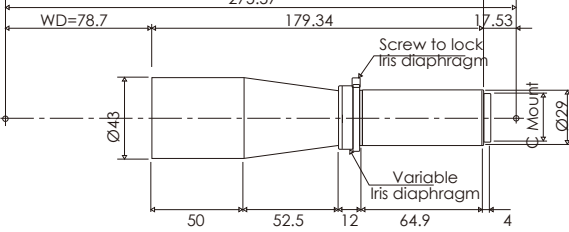
**02T**



**02DT**

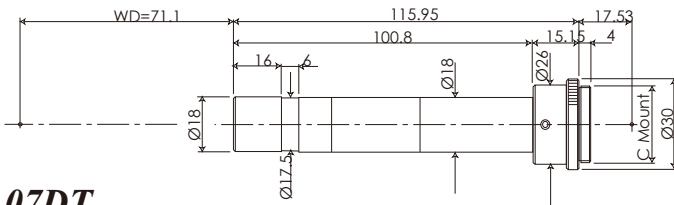


**04T**

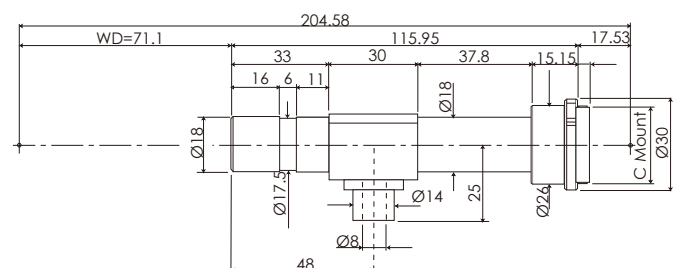


**04DT**

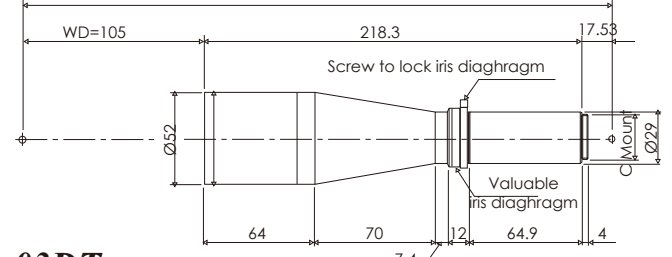
**07T**



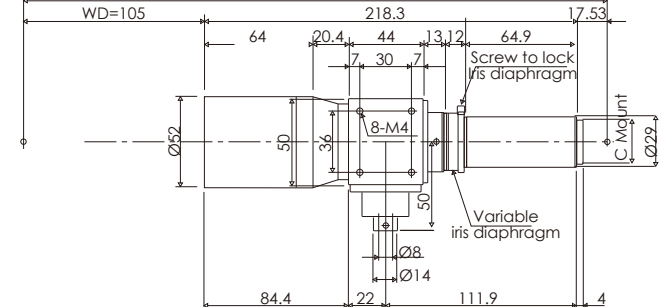
**07DT**



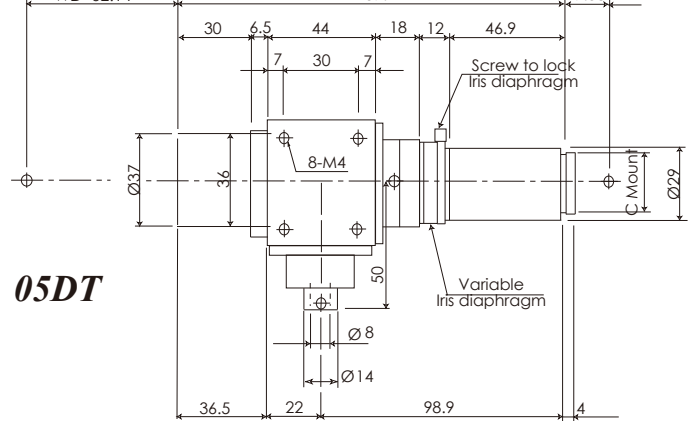
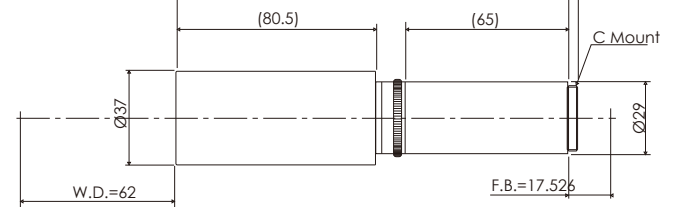
**03T**



**03DT**

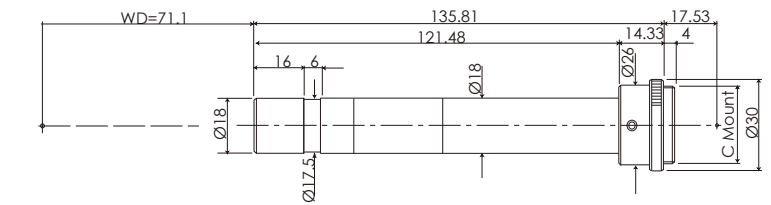


**05T**

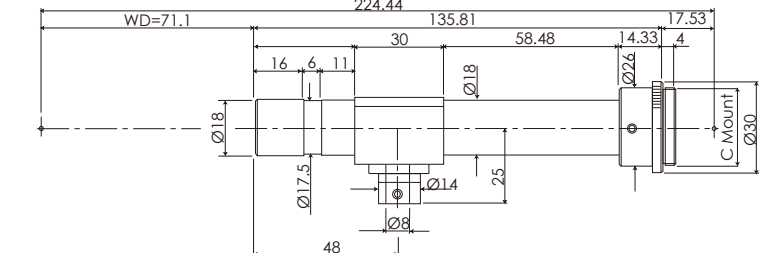


**05DT**

**1T**



**1DT**



## Telecentric Lenses for the Megapixel Cameras

	01TMP	01TDMP	02TMP	02TDMP	03TMP	03DTMP	04TMP	04DTMP	05TMP	05DTMP
Magnification	x0.1	x0.1	x0.2	x0.2	x0.3	x0.3	x0.4	x0.4	x0.5	x0.5
W.D.(mm)	342	342	167	167	108	108	78.5	78.5	60.7	60.7
Aperture	F8.0 - 40	F8.0 - 40	F8.0 - 40	F8.0 - 40	F8.0 - 40	F8.0 - 40	F8.0 - 40	F8.0 - 40	F8.0 - 40	F8.0 - 40
Depth of Field(mm)	33.5	33.5	8.4	8.4	3.7	3.7	2.1	2.1	1.34	1.34
Object Size(mm)	66 x 88	66 x 88	33 x 44	33 x 44	22 x 29	22 x 29	16 x 22	16 x 22	13 x 17	13 x 17
Resolution Power(object)(um)	61	61	31	31	20	20	15	15	12	12
NA	0.0055	0.0055	0.011	0.011	0.0165	0.0165	0.022	0.022	0.0275	0.0275
TV Distortion(less than)	+0.035	+0.035	+0.012	+0.012	+0.008	+0.008	-0.015	-0.015	-0.028	-0.028
Notes	straight	coaxial	straight	coaxial	straight	coaxial	straight	coaxial	straight	coaxial

## Telecentric Lenses for the 1.1 inch Megapixel Cameras

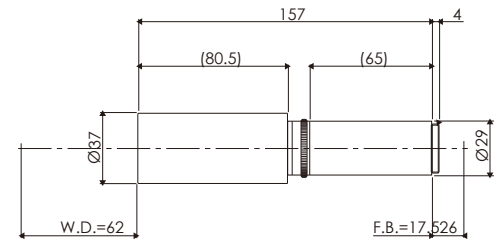
	0.15T5MP	0.15DT5MP	0.3T5MP	0.3DT5MP	0.45T5MP	0.45DT5MP	0.6T5MP	0.6DT5MP	0.75T5MP	0.75DT5MP
Magnification	x0.15	x0.15	x0.3	x0.3	x0.45	x0.45	x0.6	x0.6	x0.5	x0.5
W.D.(mm)	342	342	103	103	108	108	78	78	60	60
Aperture	F12 - 60	F12 - 60	F12 - 60	F12 - 60	F12 - 60	F12 - 60	F12 - 60	F12 - 60	F12 - 60	F12 - 60
Depth of Field(mm)	20	20	5	5	2.2	2.2	1.3	1.3	0.8	0.8
Object Size(mm)	63 x 84	63 x 84	31 x 42	31 x 42	21 x 28	21 x 28	15 x 21	15 x 21	12 x 1.6	12 x 1.6
Resolution Power(object)(um)	54	54	27	27	18	18	13.5	13.5	11	11
NA	0.0063	0.0063	0.0125	0.0125	0.0188	0.0188	0.025	0.025	0.0313	0.0313
TV Distortion(less than)	-0.035	-0.035	+0.012	+0.012	+0.008	+0.008	-0.015	-0.015	-0.028	-0.028
Notes	straight	coaxial	straight	coaxial	straight	coaxial	straight	coaxial	straight	coaxial

## Telecentric Lenses for 15.2mm x 15.2mm Megapixel Cameras

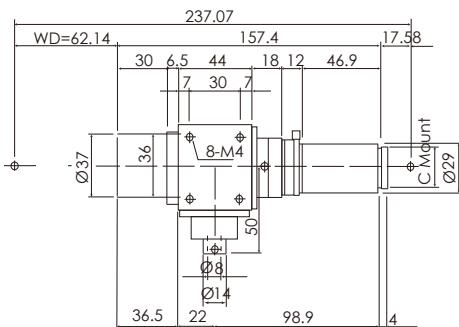
	10T152MP	20T152MP
Magnification	x1.0	x2.0
W.D.(mm)	65.5	65
Aperture	-	-
Depth of Field(mm)	0.28	0.095
Object Size(mm)	15.2 x 15.2	7.6 x 7.6
Resolution Power(object)(um)	5.4	3.4
NA	0.0063	0.1
TV Distortion(less than)	-	-
Notes	coaxial	coaxial

\*Specifications are subject to change without prior notice

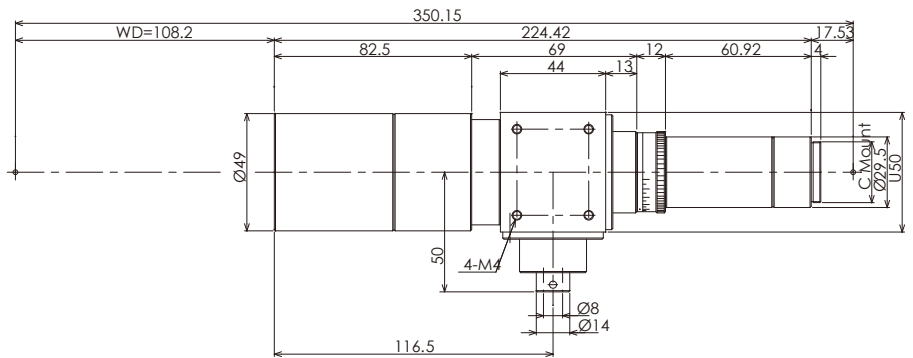
### 05TMP



### 05DTMP



### 03DTMP



### 01TMP

