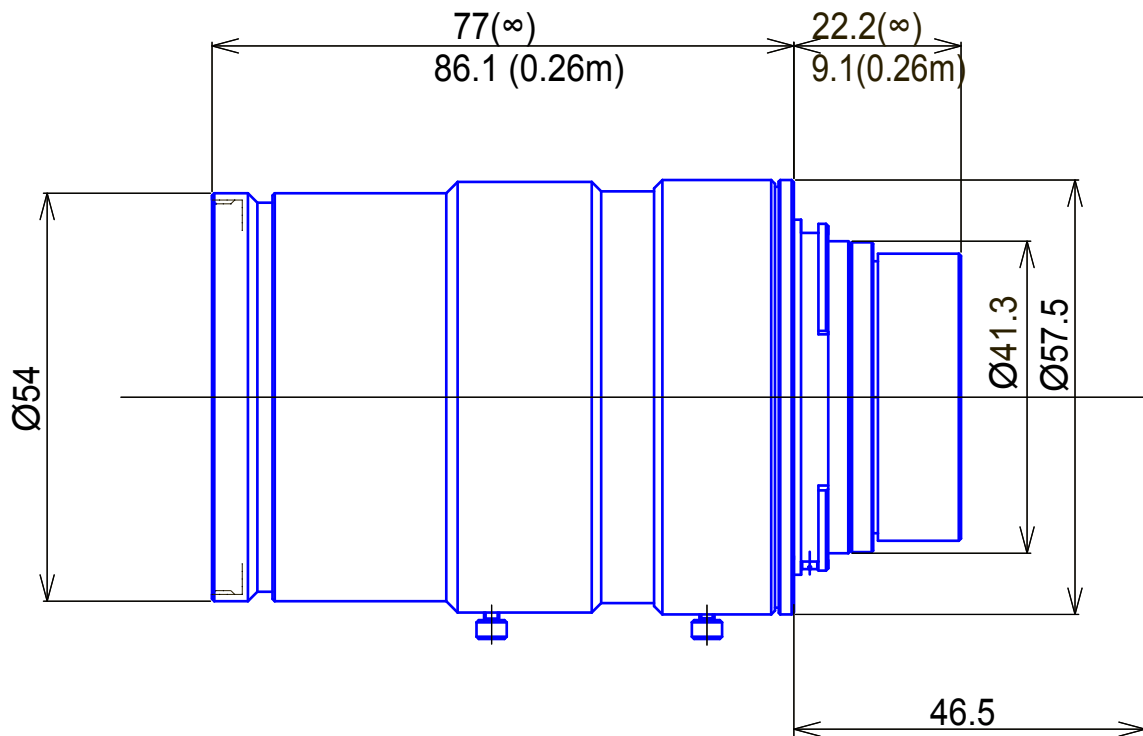


Item No. GLS5028F-N

ITEM NO.	GLS5028F-N	
Focal Length	50	(mm)
Iris Range	F2.8 - 22	
Sensor Size	Ø43.2	(mm)
MOD	0.26	(m)
TV Distortion	-0.04	(%)
Fringe Back	46.5mm In Air	
Filter Size	M52 x 0.75	
Front/Rear Effectiv	Ø38.8/32.0	(mm)
Weight	470	(g)
Mount	F-Mount	