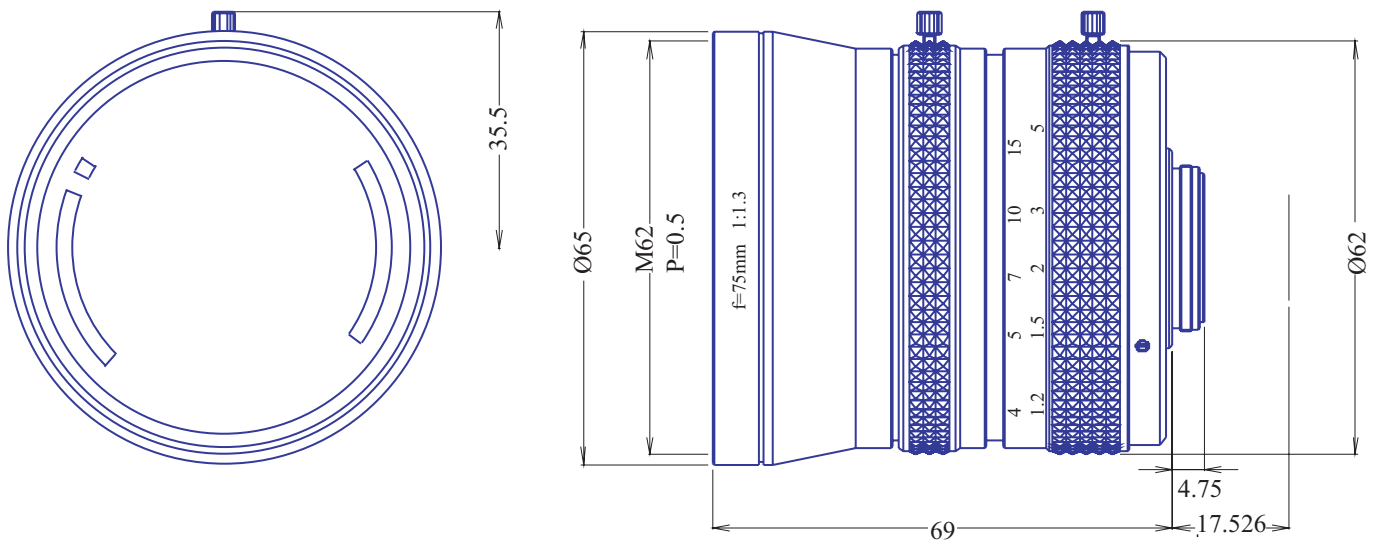


1inch Format High Resolution Lenses

Item No. GMHR47513MCN



ITEM NO.	GMHR47513MCN
Focal Length	75 (mm)
Iris Range	F1.3 - 22
Angle of View (Hx V x D) 1"	9.45° x 7.12° x 11.9°
MOD	0.9 (m)
Filter Thread	M=62 , P=0.75
Dimention (D x L)	Ø65 x 69 (mm)
Weight	- (g)