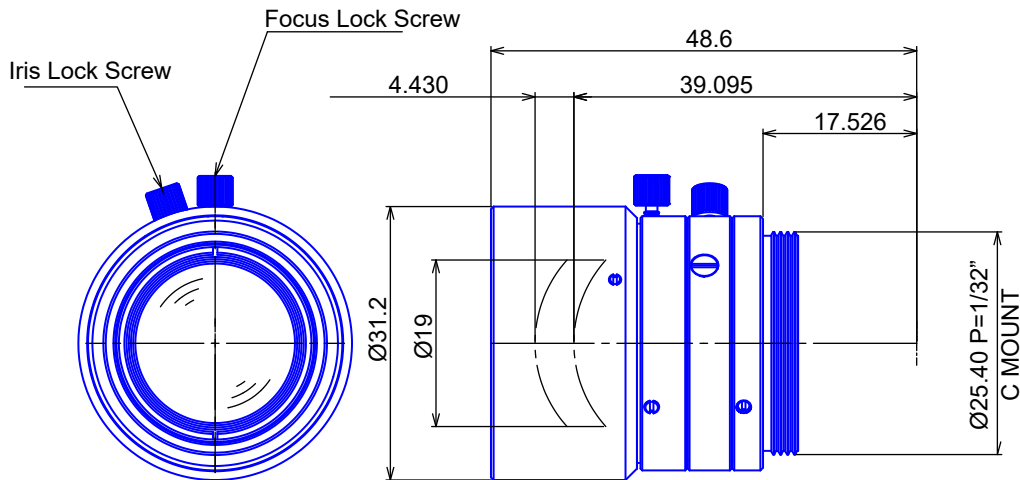


2/3inch format High Resolution Megapixel Lenses

Item No. GMHR33520MCN-2

ITEM NO.		GMHR33520MCN-2
Focal Length		35 (mm)
Iris Range		F2 - Close
Angle of View (H x V x D)	2/3"	14.4° x 10.8°
MOD		0.3 (m)
Filter Thread		M25.5, P=0.5
Dimension (D x L)		Ø29 x 40 (mm)
Weight		- (g)
Notes		3 Megapixel