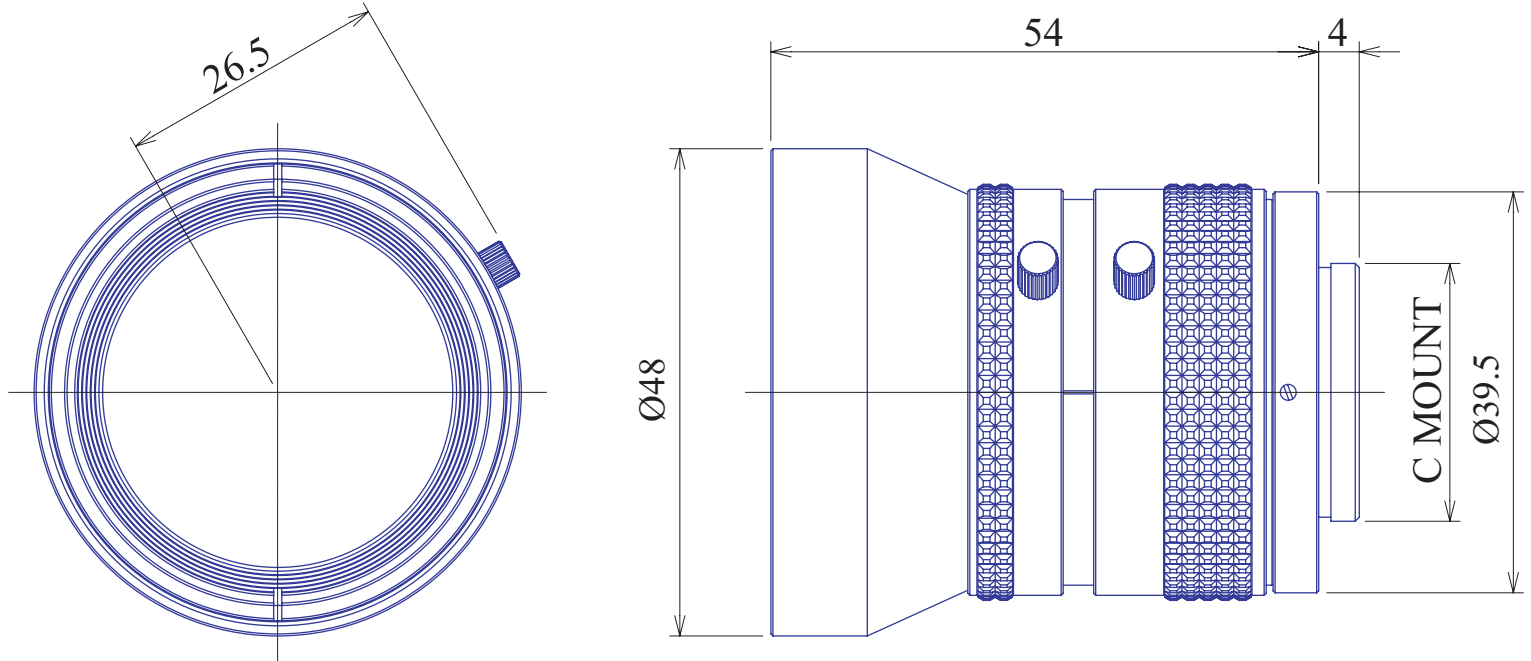


2/3inch Format**High resolution 5 Megapixel Lenses****Item No.GM5HR39014MCN**

ITEM NO.		GM5HR39014MCN
Focal Length		9 (mm)
Iris Range		F1.4 - Close
Angle of View (H x V x D)	2/3"	50.8° x 39.3° x 61.5°
	1/2"	38.2° x 29.1° x 57.3°
MOD		0.1 (m)
Filter Thread		M=46 , P=0.75
Dimention (D x L)		φ 48 x 54 (mm)
Weight		160 (g)