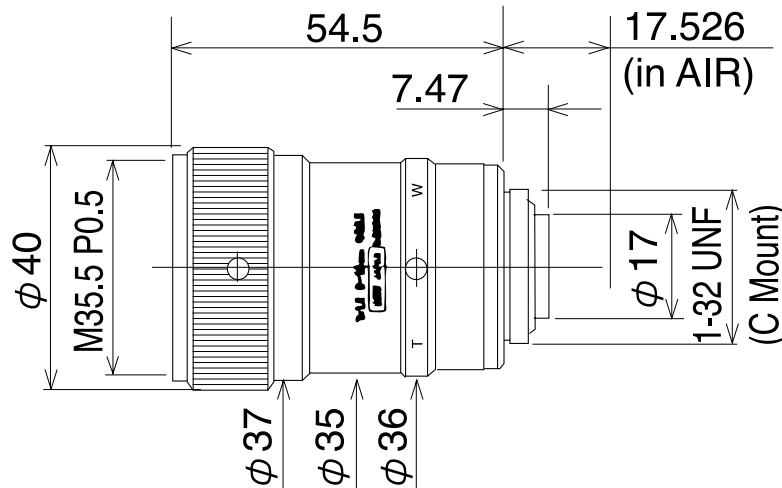


Manual Vari-Focal Zoom Lenses

Item No. GM26012MCN



ITEM NO.		GM26012MCN
Focal Length		6 - 12 (mm)
Iris Range		F1.4 - Close
Angle of View (H x V x D)	1/2"	56.10° x 43.60° x 67.40°
		29.90° x 22.60° x 36.90°
MOD		0.3 (m)
Filter Thread		M=35.5 , P=0.5
Dimention (D x L)		$\phi 40$ x 54.5 (mm)
Weight		104 (g)

GOYO OPTICAL Inc.

Japanese Office

3-8-31 HAMAZAKI,
ASAKA,
SAITAMA 351-0033,
JAPAN,
TEL:048-474-2235
FAX:048-474-7373
E-MAIL:info@goyooptical.com

German Office

KURHAUSSTR,3
ROOM N'19
D-55543 BAD KREUZNACH
GERMANY
TEL:0671-4822255
FAX:0671-43603
E-MAIL:info@goyooptical.com