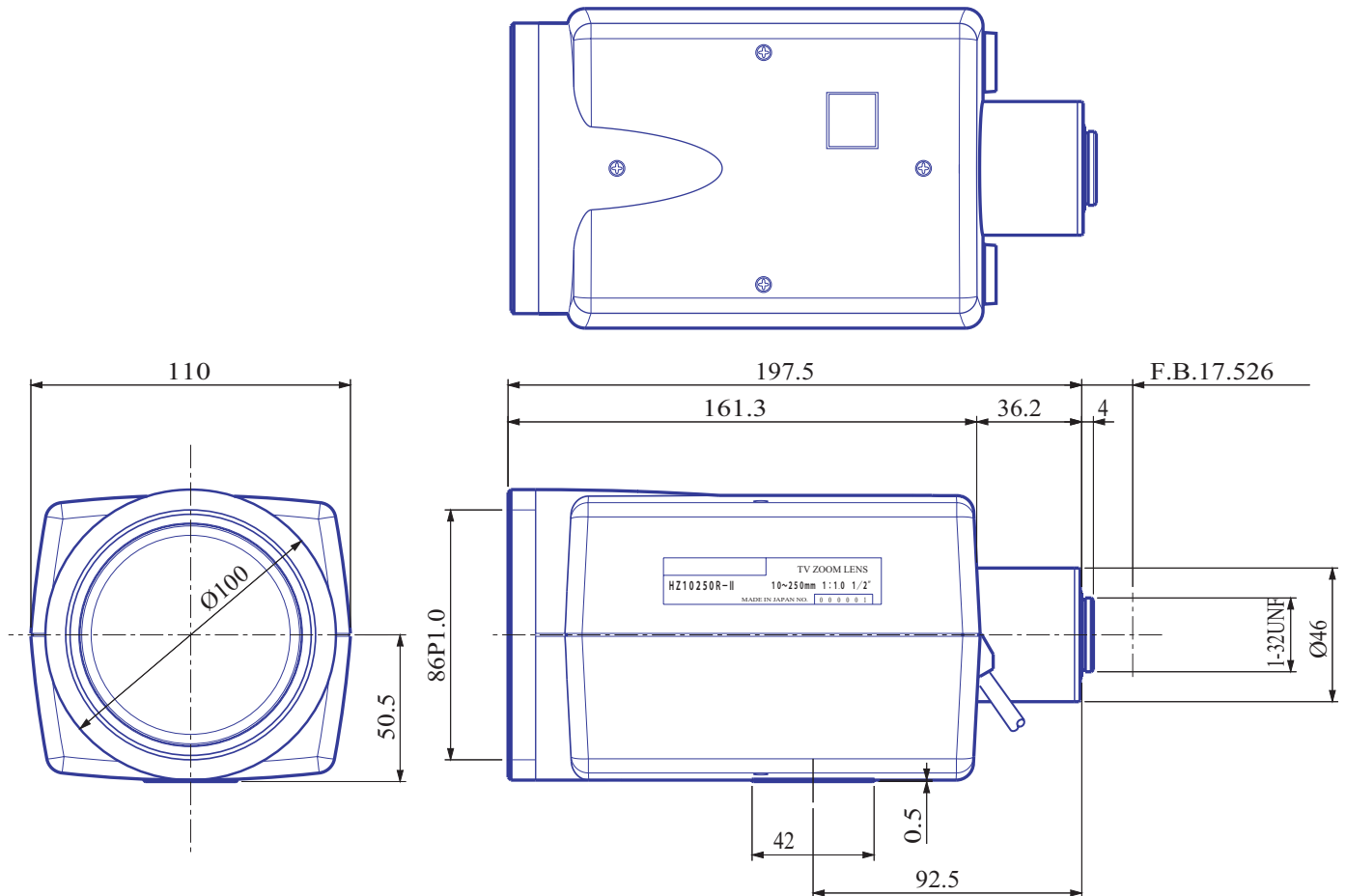


Three Motorized Zoom Lenses

(Motorized Zoom , Motorized Iris , Motorized Focus)

Item No. GAZ1025018M



ITEM NO.		GAZ1025018M	
Focal Length		10 - 250	(mm)
Iris Range		F1.8 - Close	
Angle of View	1/2"	37.3° x 27.7°	
		- 1.5° x 1.1°	
MOD		2.5	(m)
Filter Thread		M=86 , P=0.1	
Dimention		Ø110x 100 x 200	(mm)
Weight		1500	(g)