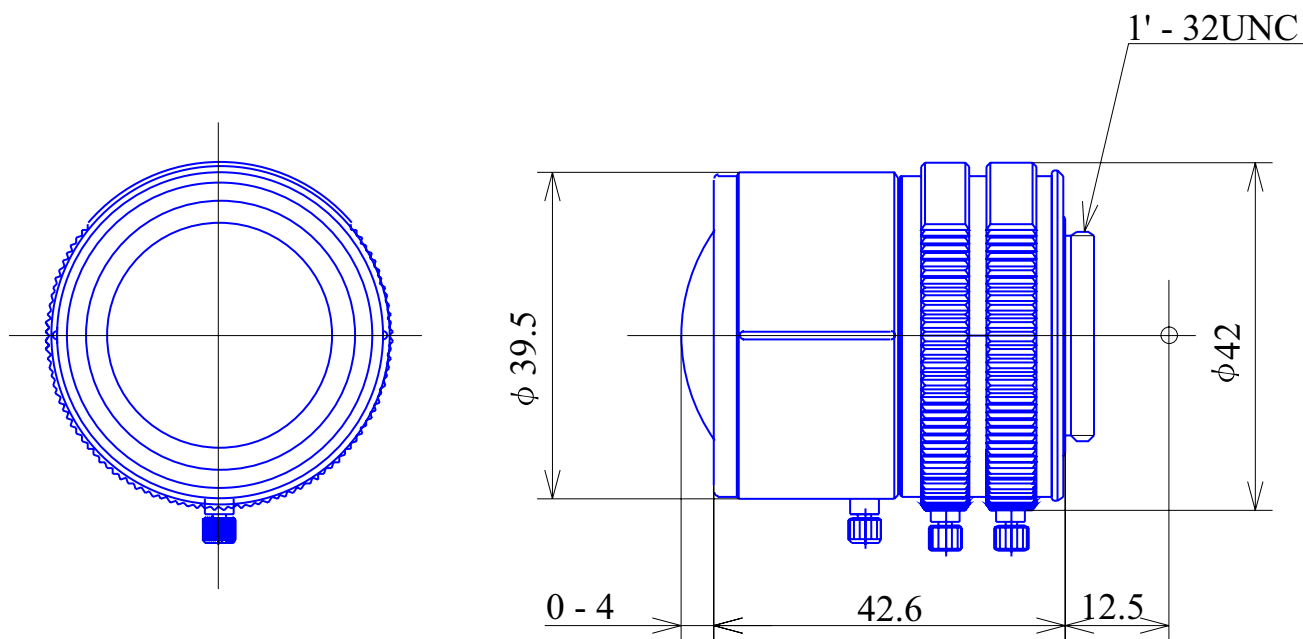


1/3" Format Manual Iris Lenses

Item GM12560S



ITEM NO.		GM12560S	
Focal Length		2.5 - 6 (mm)	
Iris Rnage		F1.4 - 16	
Angle of View (H x V)	1/3"	107.6° x 80.9° - 45.6° x 34.2°	
MOD		0.2 (m)	
Dimention		42 x 42.6 (mm)	
Weight		85 (g)	
Mount		CS	
Notes		Varifocal	

GOYO OPTICAL Inc.,

Japanese Office

3-8-31 HAMASAKI,
 ASAKA,
 SAITAMA 351-0033,
 JAPAN,
 TEL:048-474-2235
 FAX:048-474-7373
 E-MAIL:info@goyooptical.com

German Office

KURHAUSSTR,3
 ROOM N'19
 D-55543 BAD KREUZNACH
 GERMANY
 TEL:0671-4822255
 FAX:0671-43603
 E-MAIL:info@goyooptical.com