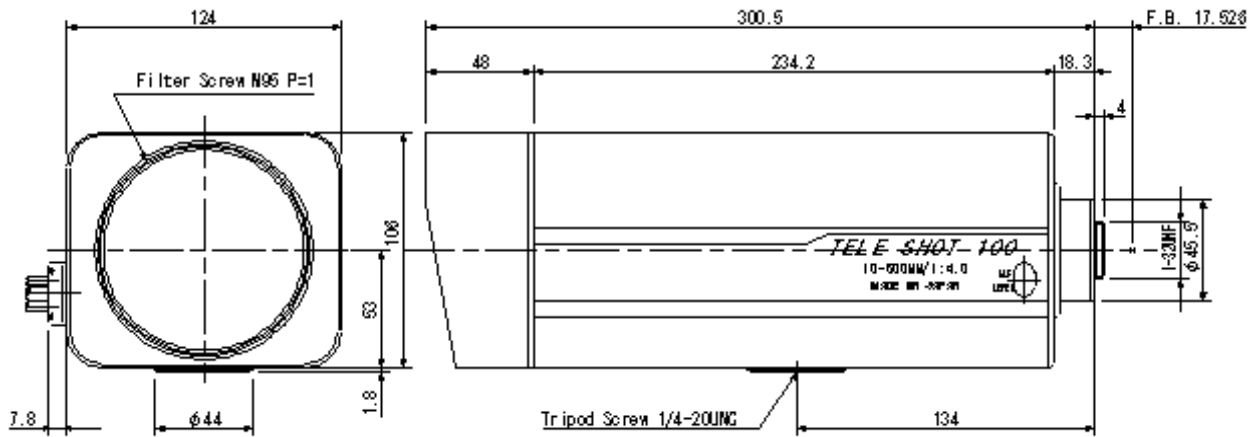


# GAZ10500M



## [ SPECIFICATIONS ]

FORMAT	1/2"		
MOUNT	C MOUNT		
FOCAL LENGTH	10 - 500 mm		
IRIS RANGE	F4.0 - 125(360)		
ANGLE OF VIEW	(1/2")	43.6 (D) x 35.5 (H) x 27.0 (V) (WIDE) 0.9 (D) x 0.7 (H) x 0.6 (V) (TELE)	
	(1/3")	33.6 (D) x 27.0 (H) x 20.7 (V) (WIDE) 1.7 (D) x 1.4 (H) x 1.0 (V) (TELE)	
M.O.D.	4.0 M		
BACK FOCAL LENGTH	62.67 mm		
FLANGE BACK LENGTH	17.526 mm		
FILTER SCREW SIZE	M95 P = 1		
DIMENSIONS	106 (W) x 124 (H) x 300 (L) mm		
WEIGHT	3200g		
OPERATION	< IRIS >	MOTORIZED	CONTROL VOLTAGE : DC6-12 V, MAX.30mA(6V) MOTORIZATION SPEED : APPROX. 5.0sec.(6V)
	<ZOOM>	MOTORIZED	CONTROL VOLTAGE : DC6-12 V, MAX.60mA(6V) MOTORIZATION SPEED : APPROX. 8.0sec.(6V)
	<FOCUS>	MOTORIZED	CONTROL VOLTAGE : DC6-12 V, MAX.50mA(6V) MOTORIZATION SPEED : APPROX. 10.0sec.(6V)
OPERATING TEMPERATURE	-10 - +50 °C		

## [ CABLE CONNECTION ]

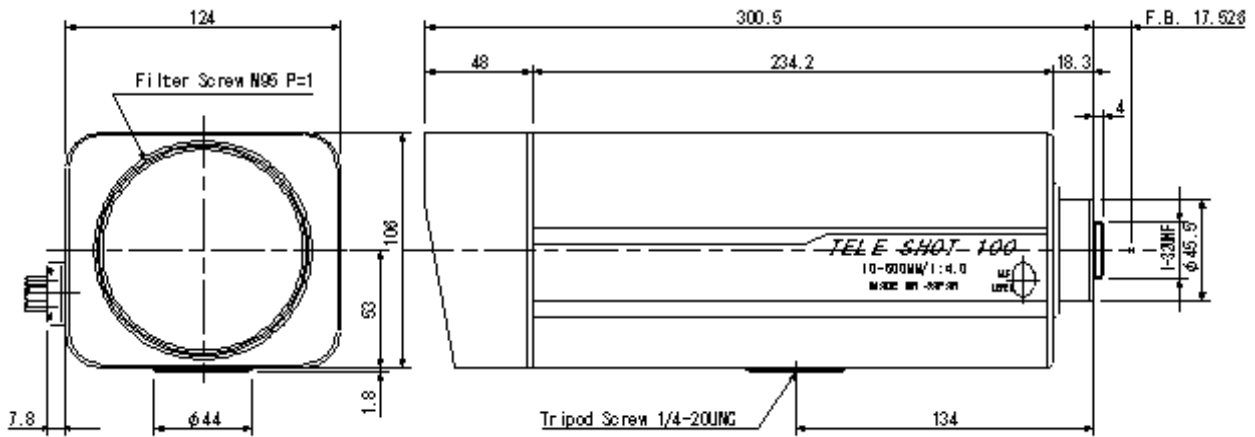
<12 CORE CABLE FOR ZOOM, FOCUS, EXTENDER, IRIS CHANGE >

YELLOW	ZOOM (+)	TELE	BLUE	NC		
RED	ZOOM		GRAY	NC		
GREEN	FOCUS (+)	NEAR	ORANGE	NC		
BLACK	FOCUS		PURPLE	NC		

<4 CORE CABLE FOR ZOOM AND FOCUS PRESETS>

RED	POT SURPLY	POWER (+)
GREEN	ZOOM OUT	MAX. at TELE
WHITE	FOCUS OUT	MAX. at NEAR
BLACK	POT RETURN	POWER (-)

# GAZ10500M-EX



## [ SPECIFICATIONS ]

FORMAT			1/2"
MOUNT			C MOUNT
FOCAL LENGTH			10 - 500 mm /20-1000mm (with 2ex.)
IRIS RANGE			F4.0 - 125(360) /F8.0-250(720) (with 2ex.)
ANGLE OF VIEW	(1/2")		43.6 (D) x 35.5 (H) x 27.0 (V) (WIDE)
		2ex.	22.6 (D) x 18.2 (H) x 13.7 (V) (WIDE)
			0.9 (D) x 0.7 (H) x 0.6 (V) (TELE)
		2ex.	0.5 (D) x 0.4 (H) x 0.3 (V) (TELE)
	(1/3")		33.6 (D) x 27.0 (H) x 20.7 (V) (WIDE)
		2ex.	1.7 (D) x 1.4 (H) x 1.0 (V) (WIDE)
			0.7 (D) x 0.6 (H) x 0.4 (V) (TELE)
		2ex.	0.3 (D) x 0.3 (H) x 0.2 (V) (TELE)
M.O.D.			4.0 M
BACK FOCAL LENGTH			62.67 mm
FLANGE BACK LENGTH			17.526 mm
FILTER SCREW SIZE			M95 P = 1
DIMENSIONS			106 (W) x 124 (H) x 300 (L) mm
WEIGHT			3200g
OPERATION	< IRIS >	MOTORIZED	CONTROL VOLTAGE : DC6-12 V, MAX.30mA(6V)
	< ZOOM >	MOTORIZED	MOTORIZATION SPEED : APPROX. 5.0sec.(6V)
	< FOCUS >	MOTORIZED	CONTROL VOLTAGE : DC6-12 V, MAX.60mA(6V)
	< EXTENDE >	MOTORIZED	MOTORIZATION SPEED : APPROX. 8.0sec.(6V)
			CONTROL VOLTAGE : DC6-12 V, MAX.50mA(6V)
			MOTORIZATION SPEED : APPROX. 10.0sec.(6V)
			CONTROL VOLTAGE : DC6-12 V, MAX.60mA(6V)
			MOTORIZATION SPEED : APPROX. 2.0sec.(6V)
OPERATING TEMPERATURE			-10 - +50 °C

## [ CABLE CONNECTION ]

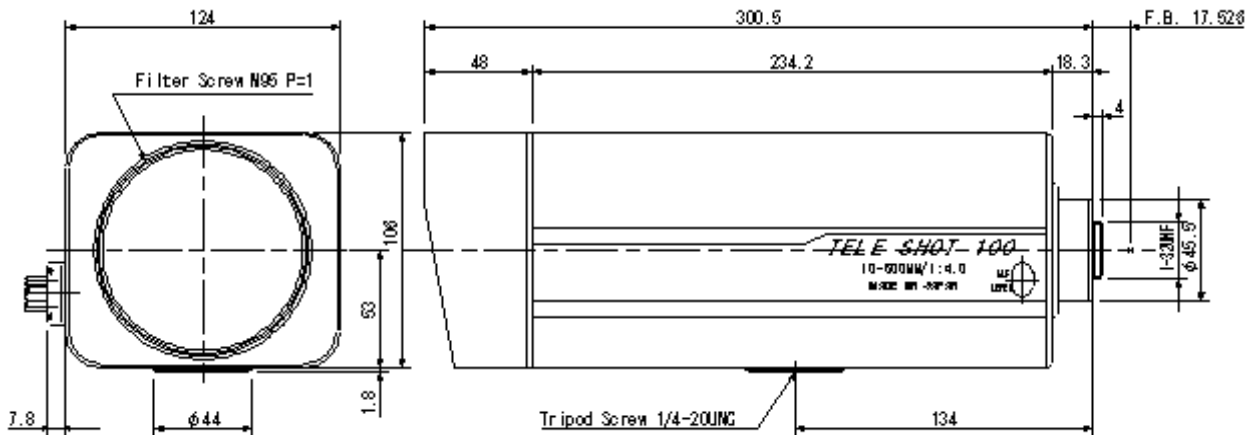
<12 CORE CABLE FOR ZOOM, FOCUS, EXTENDER, IRIS CHANGE >

YELLOW	ZOOM (+)	TELE	BLUE	EXTENDER (+)	2X	
RED	ZOOM		GRAY	EXTENDER		
GREEN	FOCUS (+)	NEAR	ORANGE	NC		
BLACK	FOCUS		PURPLE	NC		

<4 CORE CABLE FOR ZOOM AND FOCUS PRESETS >

RED	POT SURPLY	POWER (+)
GREEN	ZOOM OUT	MAX. at TELE
WHITE	FOCUS OUT	MAX. at NEAR
BLACK	POT RETURN	POWER (-)

# GAZ10500



## [ SPECIFICATIONS ]

FORMAT			1/2"
MOUNT			C MOUNT
FOCAL LENGTH			10 - 500 mm
IRIS RANGE			F4.0 - 125(360)
ANGLE OF VIEW	(1/2")		43.6 (D) x 35.5 (H) x 27.0 (V) (WIDE) 0.9 (D) x 0.7 (H) x 0.6 (V) (TELE)
	(1/3")		33.6 (D) x 27.0 (H) x 20.7 (V) (WIDE) 1.7 (D) x 1.4 (H) x 1.0 (V) (TELE)
M.O.D.			4.0 M
BACK FOCAL LENGTH			62.67 mm
FLANGE BACK LENGTH			17.526 mm
FILTER SCREW SIZE			M95 P = 1
DIMENSIONS			106 (W) x 124 (H) x 300 (L) mm
WEIGHT			3200g
OPERATION	< IRIS >	AUTO (VIDEO)	INPUT VOLTAGE : DC8 - 16V, MAX. 30 mA INPUT SIGNAL : VIDEO SIGNAL ( V or VS ) INPUT IMPEDANCE : HIGH IMPEDANCE SENSITIVITY ADJUSTMENT : 0.5 - 1.0 Vp-p RESPOND SPEED : 4.0sec. or less
	<ZOOM>	MOTORIZED	CONTROL VOLTAGE : DC6-12 V, MAX.60mA(6V) MOTORIZATION SPEED : APPROX. 8.0sec.(6V)
	<FOCUS>	MOTORIZED	CONTROL VOLTAGE : DC6-12 V, MAX.50mA(6V) MOTORIZATION SPEED : APPROX. 10.0sec.(6V)
OPERATING TEMPERATURE			-10 - +50 °C

## [ CABLE CONNECTION ]

< 4 CORE CABLE FOR AUTO-IRIS >

WHITE	VIDEO SIGNAL	0.5 - 1.0Vp-p
RED	POWER (+)	DC8 - 16V
BLACK	POWER (-)	GND
GREEN	NC	

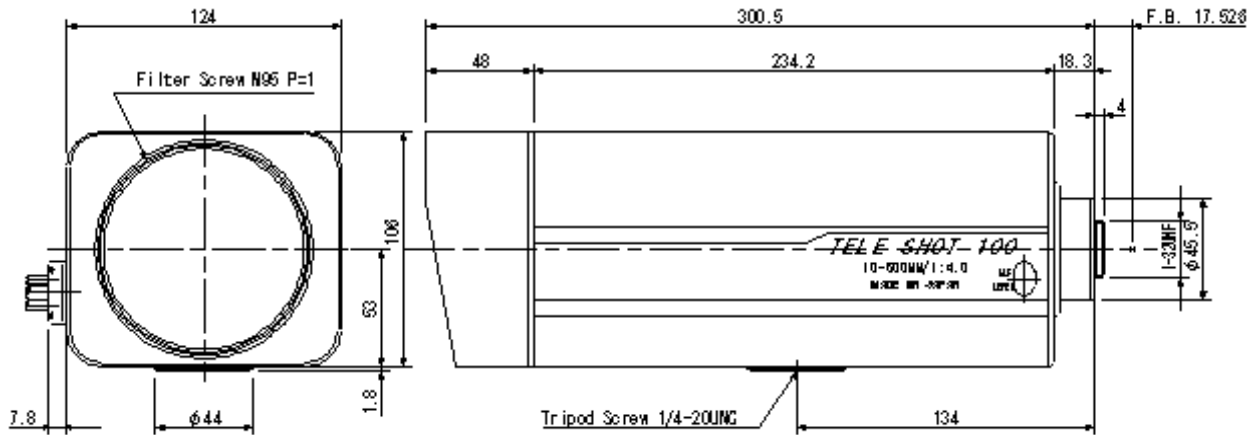
<4 CORE CABLE FOR ZOOM AND FOCUS PRESETS>

RED	POT SURPLY	POWER (+)
GREEN	ZOOM OUT	MAX. at TELE
WHITE	FOCUS OUT	MAX. at NEAR
BLACK	POT RETURN	POWER (-)

<12 CORE CABLE FOR ZOOM, FOCUS, EXTENDER, IRIS CHANGE >

YELLOW	ZOOM (+)	TELE	BLUE	NC
RED	ZOOM		GRAY	NC
GREEN	FOCUS (+)	NEAR	ORANGE	NC
BLACK	FOCUS		PURPLE	NC

# GAZ10500-EX



## [ SPECIFICATIONS ]

FORMAT			1/2"
MOUNT			C MOUNT
FOCAL LENGTH			10 - 500 mm /20-1000mm (with 2ex.)
IRIS RANGE			F4.0 - 125(360) /F8.0-250(720) (with 2ex.)
ANGLE OF VIEW	(1/2")		43.6 (D) x 35.5 (H) x 27.0 (V) (WIDE)
		2ex.	22.6 (D) x 18.2 (H) x 13.7 (V) (WIDE)
			0.9 (D) x 0.7 (H) x 0.6 (V) (TELE)
		2ex.	0.5 (D) x 0.4 (H) x 0.3 (V) (TELE)
	(1/3")		33.6 (D) x 27.0 (H) x 20.7 (V) (WIDE)
		2ex.	1.7 (D) x 1.4 (H) x 1.0 (V) (WIDE)
			0.7 (D) x 0.6 (H) x 0.4 (V) (TELE)
		2ex.	0.3 (D) x 0.3 (H) x 0.2 (V) (TELE)
M.O.D.			4.0 M
BACK FOCAL LENGTH			62.67 mm
FLANGE BACK LENGTH			17.526 mm
FILTER SCREW SIZE			M95 P = 1
DIMENSIONS			106 (W) x 124 (H) x 300 (L) mm
WEIGHT			3200g
OPERATION	< IRIS >	AUTO (VIDEO)	INPUT VOLTAGE : DC8 - 16V, MAX. 30 mA
			INPUT SIGNAL : VIDEO SIGNAL ( V or VS )
			INPUT IMPEDANCE : HIGH IMPEDANCE
			SENSITIVITY ADJUSTMENT : 0.5 - 1.0 Vp-p
			RESPOND SPEED : 4.0sec. or less
	<ZOOM>	MOTORIZED	CONTROL VOLTAGE : DC6-12 V, MAX.60mA(6V)
			MOTORIZATION SPEED : APPROX. 8.0sec.(6V)
	<FOCUS>	MOTORIZED	CONTROL VOLTAGE : DC6-12 V, MAX.50mA(6V)
			MOTORIZATION SPEED : APPROX. 10.0sec.(6V)
	<EXTENDE	MOTORIZED	CONTROL VOLTAGE : DC6-12 V, MAX.60mA(6V)
			MOTORIZATION SPEED : APPROX. 2.0sec.(6V)
OPERATING TEMPERATURE			-10 - +50 °C

## [ CABLE CONNECTION ]

### < 4 CORE CABLE FOR AUTO-IRIS >

WHITE	VIDEO SIGNAL	0.5 - 1.0Vp-p
RED	POWER (+)	DC8 - 16V
BLACK	POWER (-)	GND
GREEN	NC	

### <4 CORE CABLE FOR ZOOM AND FOCUS PRESETS>

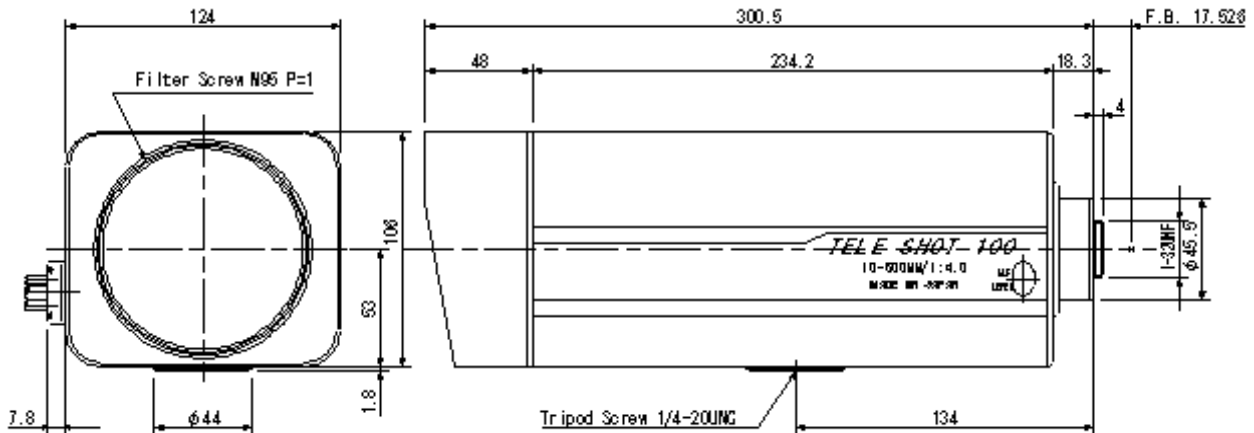
RED	POT SURPLY	POWER (+)
GREEN	ZOOM OUT	MAX. at TELE
WHITE	FOCUS OUT	MAX. at NEAR
BLACK	POT RETURN	POWER (-)

### <12 CORE CABLE FOR ZOOM, FOCUS, EXTENDER,IRIS CHANGE >

YELLOW	ZOOM (+)	TELE	BLUE	EXTENDER (+)	2X
RED	ZOOM		GRAY	EXTENDER	
GREEN	FOCUS (+)	NEAR	ORANGE	NC	
BLACK	FOCUS		PURPLE	NC	

Specifications are subject to change without notice.

# GAZ10500AM-EX



## [ SPECIFICATIONS ]

FORMAT	1/2"	
MOUNT	C MOUNT	
FOCAL LENGTH	10 - 500 mm /20-1000mm (with 2ex.)	
IRIS RANGE	F4.0 - 125(360) /F8.0-250(720) (with 2ex.)	
ANGLE OF VIEW	(1/2")	43.6 (D) x 35.5 (H) x 27.0 (V) (WIDE)
	2ex.	22.6 (D) x 18.2 (H) x 13.7 (V) (WIDE)
	2ex.	0.9 (D) x 0.7 (H) x 0.6 (V) (TELE)
	2ex.	0.5 (D) x 0.4 (H) x 0.3 (V) (TELE)
	(1/3")	33.6 (D) x 27.0 (H) x 20.7 (V) (WIDE)
	2ex.	1.7 (D) x 1.4 (H) x 1.0 (V) (WIDE)
	2ex.	0.7 (D) x 0.6 (H) x 0.4 (V) (TELE)
	2ex.	0.3 (D) x 0.3 (H) x 0.2 (V) (TELE)
M.O.D.	4.0 M	
BACK FOCAL LENGTH	62.67 mm	
FLANGE BACK LENGTH	17.526 mm	
FILTER SCREW SIZE	M95 P = 1	
DIMENSIONS	106 (W) x 124 (H) x 300 (L) mm	
WEIGHT	3200g	
OPERATION	< IRIS > AUTO (VIDEO)	INPUT VOLTAGE : DC8 - 16V, MAX. 30 mA
	AUTO/MANUAL SELECTABLE BY RA010A	INPUT SIGNAL : VIDEO SIGNAL ( V or VS )
	MOTORIZED	INPUT IMPEDANCE : HIGH IMPEDANCE
	<ZOOM> MOTORIZED	SENSITIVITY ADJUSTMENT : 0.5 - 1.0 V <sub>p-p</sub>
	<FOCUS> MOTORIZED	RESPOND SPEED : 4.0sec. or less
	<EXTENDE MOTORIZED	CONTROL VOLTAGE : DC6-12 V, MAX.30mA(6V)
		MOTORIZATION SPEED : APPROX. 5.0sec.(6V)
		CONTROL VOLTAGE : DC6-12 V, MAX.60mA(6V)
		MOTORIZATION SPEED : APPROX. 8.0sec.(6V)
		CONTROL VOLTAGE : DC6-12 V, MAX.50mA(6V)
		MOTORIZATION SPEED : APPROX. 10.0sec.(6V)
		CONTROL VOLTAGE : DC6-12 V, MAX.60mA(6V)
		MOTORIZATION SPEED : APPROX. 2.0sec.(6V)
OPERATING TEMPERATURE	-10 - +50 °C	

## [ CABLE CONNECTION ]

< 4 CORE CABLE FOR AUTO-IRIS >

WHITE	VIDEO SIGNAL	0.5 - 1.0V <sub>p-p</sub>
RED	POWER (+)	DC8 - 16V
BLACK	POWER (-)	GND
GREEN	NC	

<4 CORE CABLE FOR ZOOM AND FOCUS PRESETS>

RED	POT SURPLY	POWER (+)
GREEN	ZOOM OUT	MAX. at TELE
WHITE	FOCUS OUT	MAX. at NEAR
BLACK	POT RETURN	POWER (-)

<12 CORE CABLE FOR ZOOM, FOCUS, EXTENDER,IRIS CHANGE >

YELLOW	ZOOM (+)	TELE	BLUE	EXTENDER (+)	2X
RED	ZOOM		GRAY	EXTENDER	
GREEN	FOCUS (+)	NEAR	ORANGE	IRIS CHANGE(+)	MANUAL
BLACK	FOCUS		PURPLE	IRIS CHANGE	